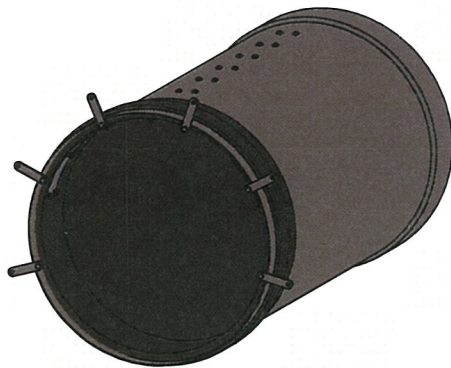
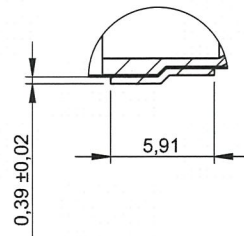


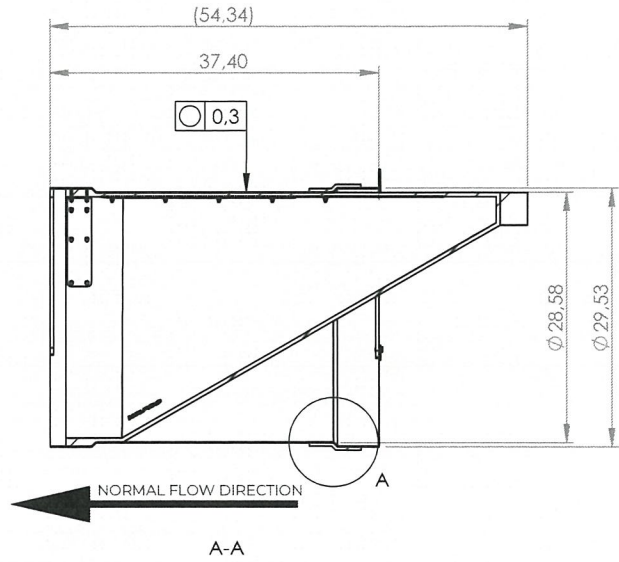
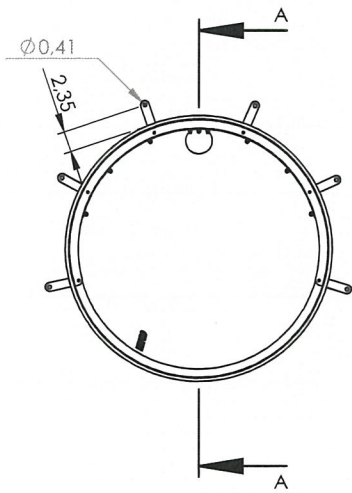
DETAIL B
SCALE 1 : 10



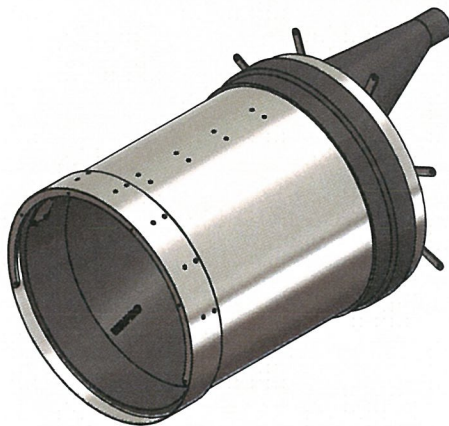
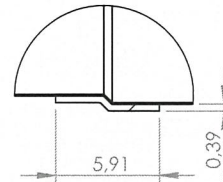
© 2017 Wapro AB. This document is subject to copyrights owned by Wapro AB. Any amendments, republication, retransmission, and/or reproduction of all or any part of the document is expressly prohibited, unless the copyright owner of the material has expressly granted its prior written consent. All other rights are reserved.

Designed By RB	Approved By RB	Created Date 2017-09-20	Units [inch]	General Tolerance SS-ISO 2768-1 m	Scale 1:20	
Material AISI 304 / AISI 316			Comments		Project Number	
Weight [Lbs] 194		Box Volume [ft³] 28	Description WaStop NPS 30"			
 www.wapro.com			Article Number ws750-S		Rev 2017-09-12	Sheet 1 (1)

Rev	Note	CreatedBy	Appr.By	Appr.Date
A	Initial release	FG	PW	2020-01-20



DETAIL A
SCALE 1 : 10



Designed By FG	Approved By PW	Created Date 2020-01-20	Units [inch]	General Tolerance ISO 13920A	Scale 1:20		Comments
Material EN 1.4301 / EN 1.4404		Weight [Lbs] 194	Box Volume [ft³] 28	Description WaStop NPS 30" Short with double collar			
 www.wapro.com			Article Number WS750-S-SHDC	Drawing Number ws750-s-shdc-us	Rev A	Sheet 1 (1)	

© 2018 Wapro AB. This document is subject to copyrights owned by Wapro AB. Any amendments, republication, retransmission and/or reproduction of all or any part of the document is expressly prohibited, unless the copyright owner of the material has expressly granted its prior written consent. All other rights are reserved.